

Max pressure : 8m
Max flow : 5 m³/h

APPLICATIONS :

- HOT OILS (OLIVE, OILS...)
- CHEMICAL PRODUCTS
- HYDROCARBONS

TECHNICAL FEATURES :

- PUMP BODY IN AS13
- AVAILABLE IN SINGLE PHASE OR THREE-PHASE
- OPEN IMPELLER
- NITRILE CERAMIC CARBON MECHANICAL SEAL
- STAINLESS STEEL FASTENINGS
- WORKING TEMPERATURE : FROM - 20 TO + 150°C

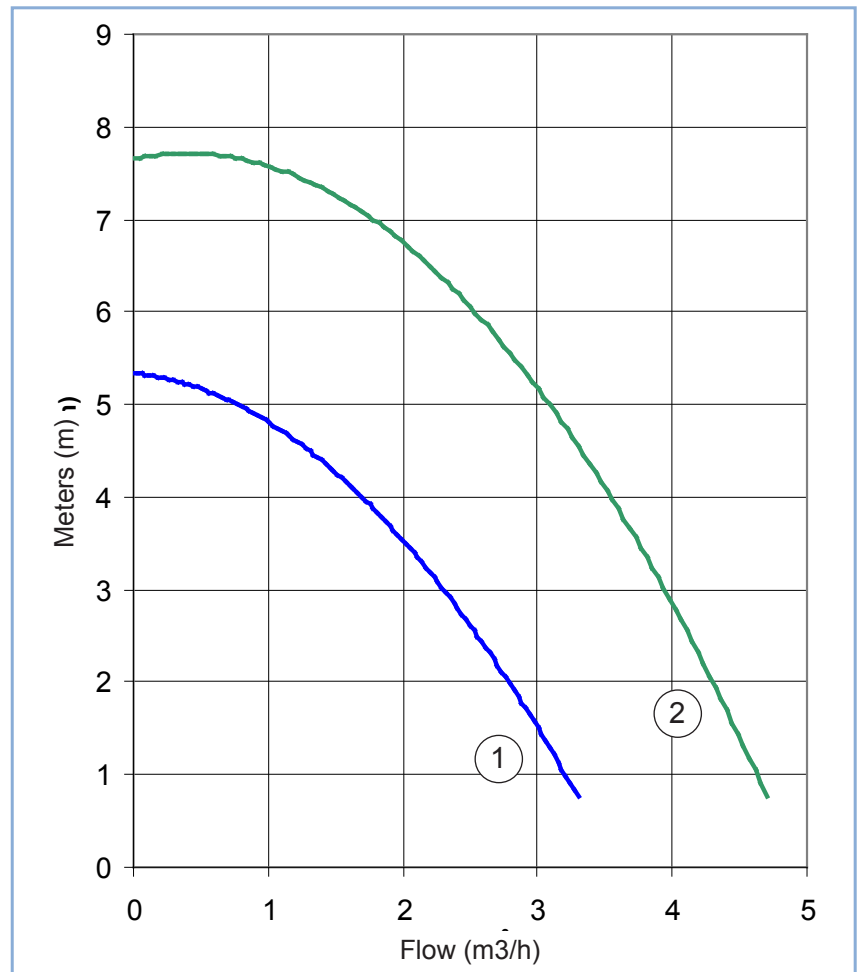
INLET :

- Ø EXT 30,5 SMOOTH - Ø INT. 24

OUTLET :

- Ø EXT 30 GROOVED - Ø INT. 24

PERFORMANCES CURVES



TECHNICAL FEATURES

Curves	Type	Designation	Inlet power (W)	Output power (W)	Power supply 230V - A	Cos φ	Weight (Kg)
1	Single phase 230V- 50hz	PB 1C 225 E1B	162	85	0,71	0,99	3
	Three-phase 230/400V - 50 Hz	PB 3 225 E1B	129	66	0,41	0,79	3
2	Single phase 230V- 50hz	PB 1C 245 E1B	153	93	0,67	0,99	3,8
	Three-phase 230/400V - 50 Hz	PB 3 245 E1B	166	93	0,49	0,85	3,8

DIMENSIONS

OPTIONS :

230 V / 50 Hz

220 V / 60 Hz

110 V / 60 Hz

ANODIZED MOTOR HOUSING

GENERALS :

THESE PUMPS MEET THE

STANDARDS AND GUIDELINES IN

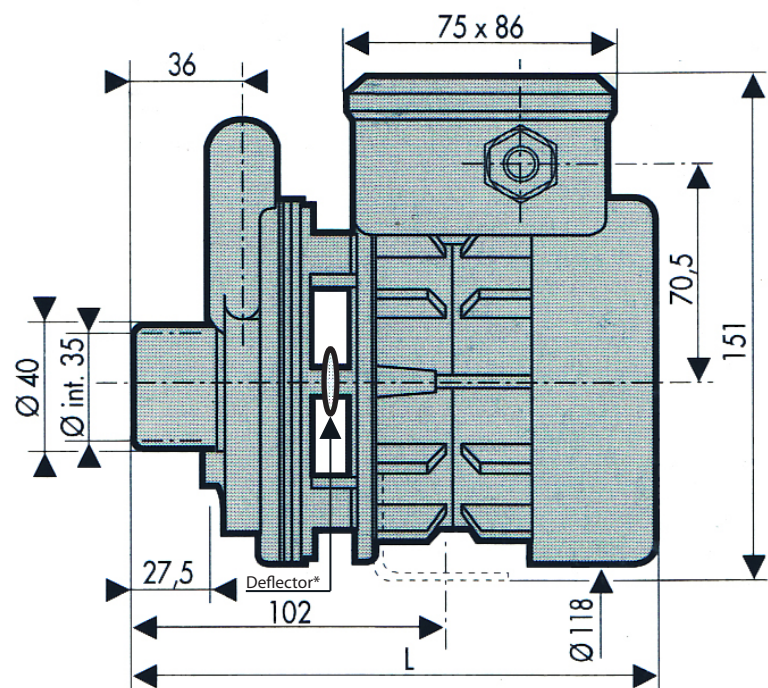
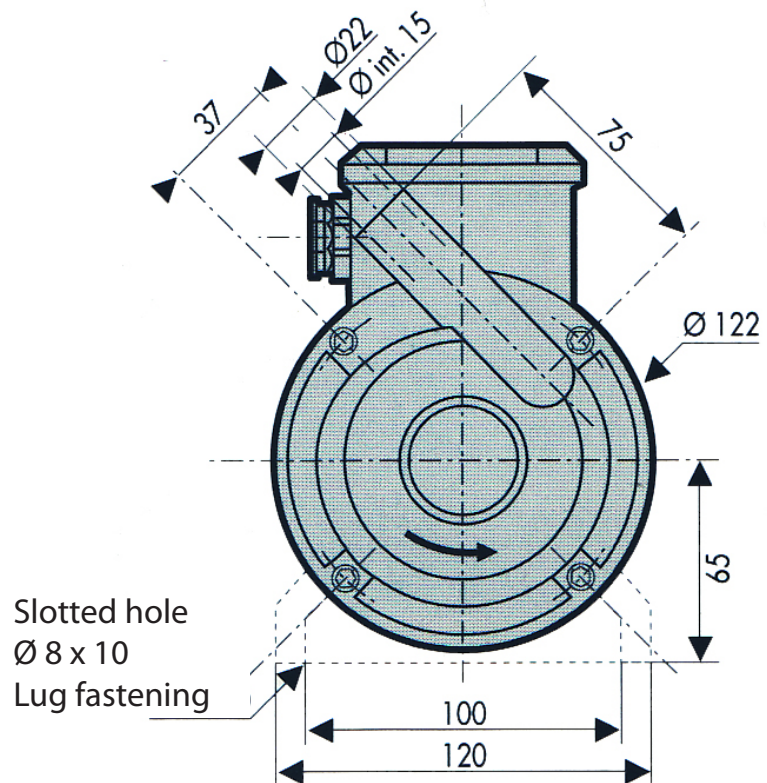
FORCE

COMPLIES WITH STANDARDS :

EN 60 335 - 1

EN 60 335 -2 - 41

CE



Dimensions (mm)	L
<i>Pumps</i>	
PB 1C 225 E1B	201
PB 3225 E1B	181
PB 1C 245 E1B	181
PB 3245 E1B	201
PB 1C 245 E1B	201

*: Deflector clearly separate from the motor to reduce condensation effects which are particularly harmful to the windings and bearings, when stopping the motor.