



Max pressure : 5 m
Max flow : 3 m³/h

VERTICAL PUMP : > 0.5 BAR

DRY RUN POSSIBLE

APPLICATIONS :

- LUBRICATING OILS
- PRINTING INKS
- HYDROCARBONS

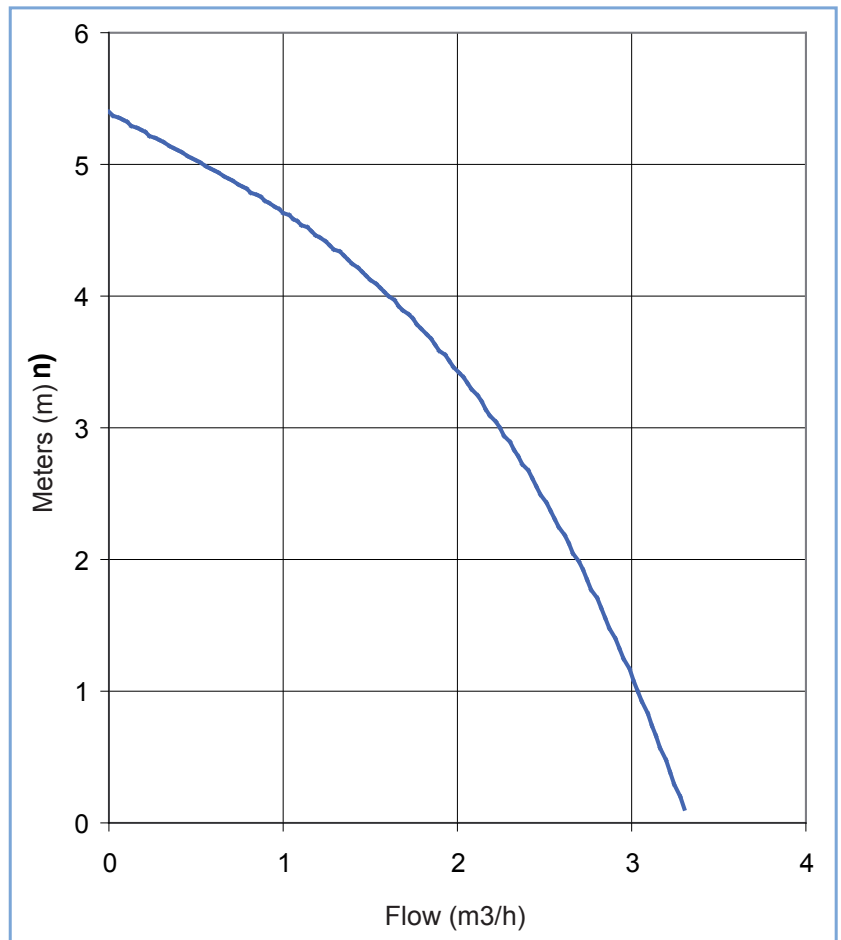
TECHNICAL FEATURES :

- VERTICAL PUMP, HEIGHT IMMERGED 170 MM
- PUMP BODY IN ALUMINIUM (AS13)
- OPEN IMPELLER
- DRY WORKING POSSIBLE
- AVAILABLE IN SINGLE PHASE OR THREE-PHASE
- WORKING TEMPERATURE : FROM -20 TO +150°C

OUTLET :

- Ø22 EXT - THREADED G3/8

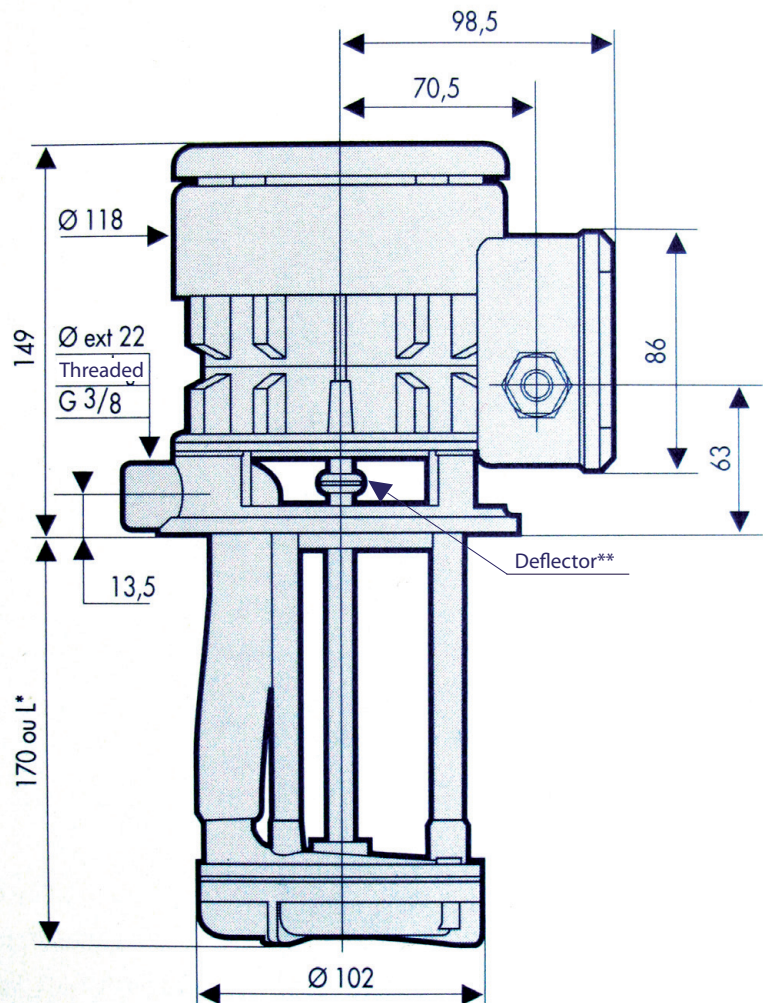
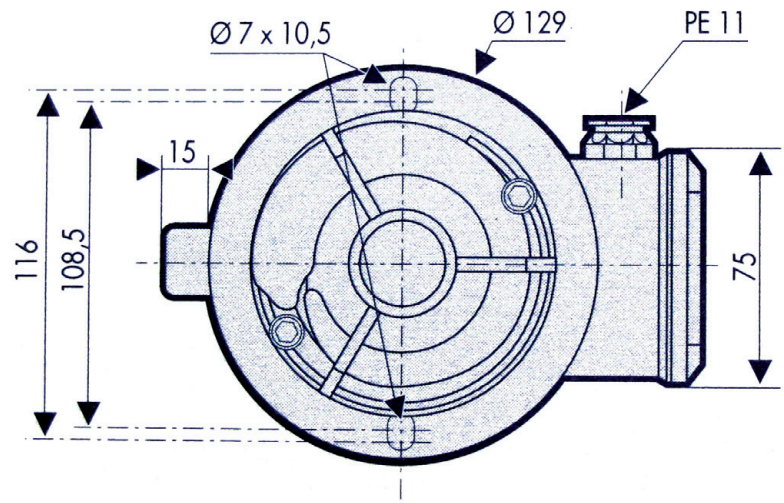
PERFORMANCES CURVES



TECHNICAL FEATURES

Type	Designation	Inlet power (W)	Outlet power (W)	Power supply 230V - A	Cos φ	Weight (Kg)
Single phase 230 V - 50hz	P 1C 225 FB	162	85	0,71	0,99	3,3
Three-phase 230/400 V - 50 Hz	P 3 225 FB	129	66	0,41	0,79	3,3

DIMENSIONS



OPTIONS :

230 V / 50 Hz

220 V / 60 Hz

110 V / 60 Hz

ANODIZED MOTOR HOUSING

INLET STRAINER

TUBE : ARMED SILICONE

GENERALS :

THESE PUMPS MEET THE

STANDARDS AND GUIDELINES IN

FORCE

COMPLIES WITH STANDARDS :

EN 60 335 - 1

EN 60 335 -2 - 41

CE

*L : Special length on demand (max. 300mm)

** : Deflector clearly separate from the motor to reduce condensation effects which are particularly harmful to the windings and bearings, when stopping the motor.