



Max pressure: 22 m
Max flow : 10 m³/h

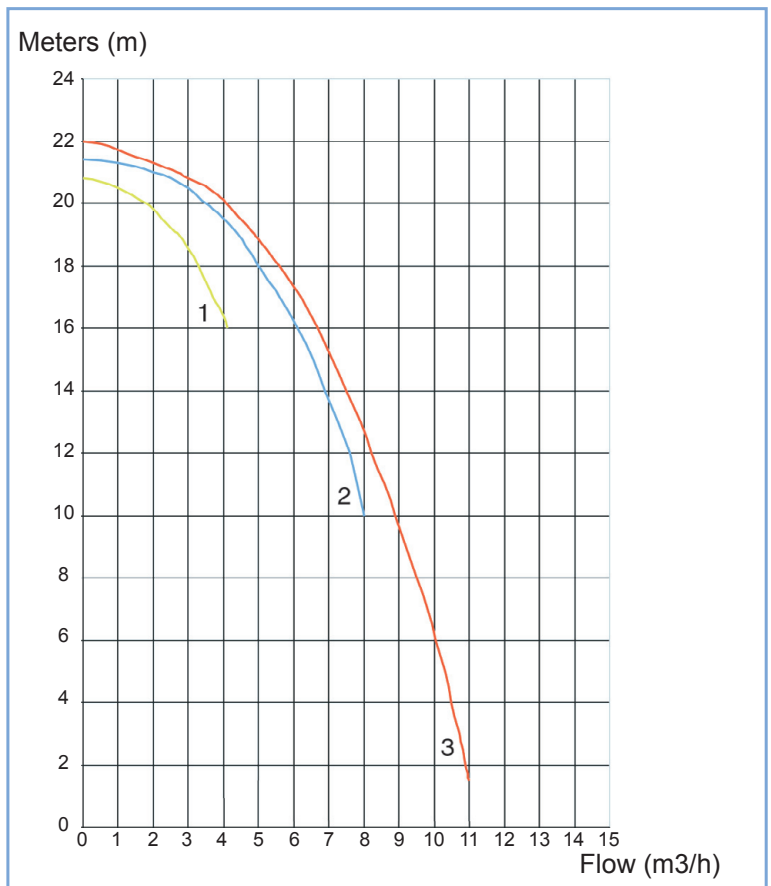
APPLICATIONS :

- CHEMICAL PRODUCTS
- DRINKS
- DETERGENT SOLUTIONS

TECHNICAL FEATURES :

- PUMP BODY IN PP
- POLYAMIDE 6 IMPELLER
- FOURREAU DE TURBINE (ISOLANT ARBRE MOTEUR DU LIQUIDE)
- CAPACITOR INSIDE THE TERMINAL BOX (SHOCKS PROTECTION)
- NITRIL MECHANICAL SEAL
- ABS FAN COVER (ATTRITION RESISTANCE)
- 8 OUTLET POSITIONS
- 5 TERMINAL BOX POSITIONS
- 2 SIZES OF TERMINAL BOX
- NO RETENTION (FROST PROTECTION)
- CLASS F INSULATION
- IPX5 PROTECTION CLASS
- WORKING TEMPERATURE : FROM -5°C TO +90°C
- 2 WATER DRAINS AND 1 AIR DRAIN

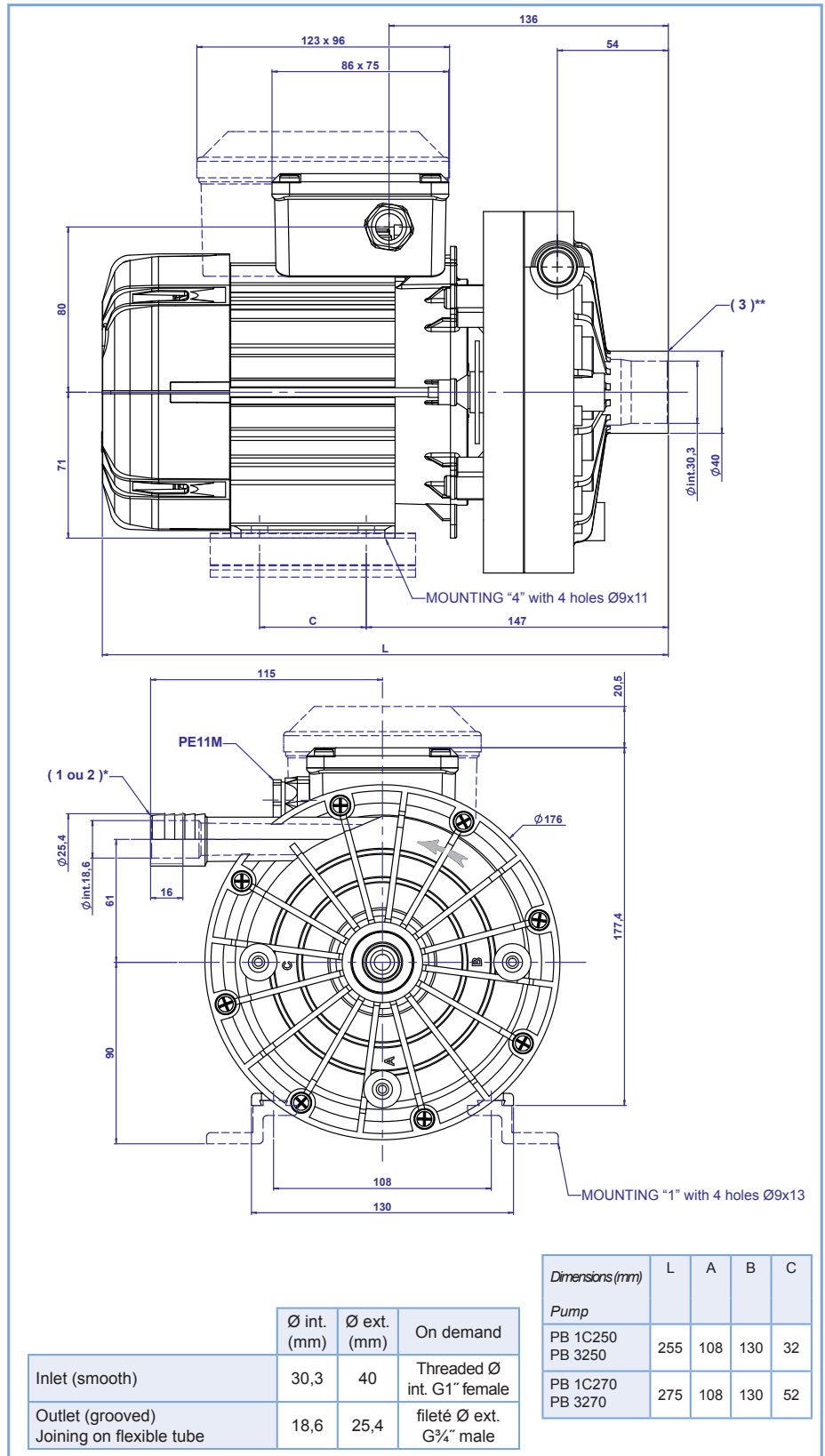
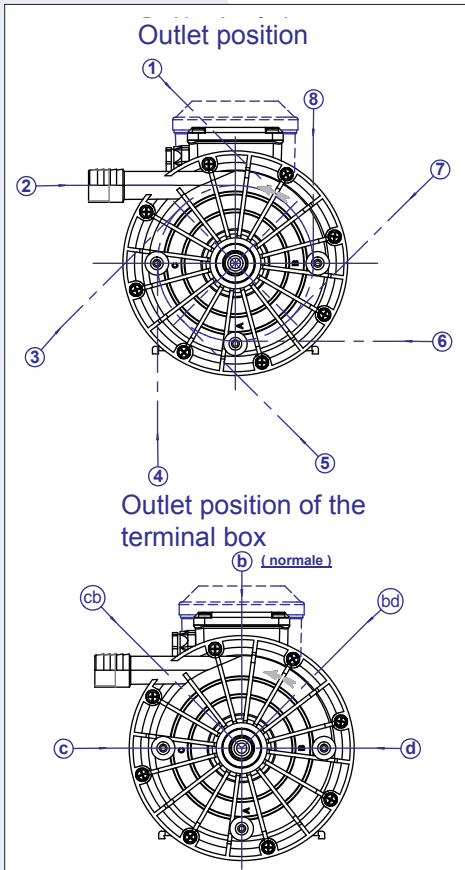
PERFORMANCES CURVES



TECHNICAL FEATURES

Curves	Designation	Single phase with capacitor 230V - 50Hz	Three-phase 230/400V 50Hz	Inlet Power (W)	Outlet power (W)	Power supply 230V - A	Cos φ
1	PB 1C250 H4B	•		560	400	2,50	0,98
	PB 3250 H4B		•			1,85	0,75
2	PB 1C270 H4B	•		900	600	3,95	0,98
	PB 3270 H4B		•	875		2,95	0,74
3	PB 1C285 H4B	•		1150	810	5,10	0,98
	PB 3285 H4B		•	985	800	3,40	0,73

DIMENSIONS



OPTIONS :

OTHER VOLTAGE AND INTENSITY ON DEMAND

VERTICAL PUMP ADAPTATION

GENERALS :

THESE PUMPS MEET THE STANDARDS AND GUIDELINES IN FORCE

COMPLY WITH STANDARDS :

EN 60 335 - 1
EN 60 335 - 2 - 41
CE

Dimensions (mm)	L	A	B	C
<i>Pump</i>				
PB 1C250	255	108	130	32
PB 3250				
PB 1C270	275	108	130	52
PB 3270				

	Ø int. (mm)	Ø ext. (mm)	On demand
Inlet (smooth)	30,3	40	Threaded Ø int. G1" female
Outlet (grooved) Joining on flexible tube	18,6	25,4	fileté Ø ext. G¾" male

CAUTIONS AND LIMITATIONS OF USING



- Do not install the pump above the water level (no suction pump)
- Pump advises for waterliquid type, please contact us for another using
- Do not run dry the pump
- Do not use the pump under the minimum pressure
- Do not put the pump into a confined place