
Max pressure : 3,3 m
Max flow : 3,5 m³/h

VERTICAL PUMP : > 0,3 BAR

DRY RUN POSSIBLE

APPLICATIONS :

- LABORATOIRY MACHINE
- ICE GENERATORS
- DENTAL MACHINES

TECHNICAL FEATURES :

- VERTICAL PUMP, HEIGHT IMMERGED 153 MM
- PUMP BODY IN PP
- DRY RUN POSSIBLE
- AVAILABLE IN SINGLE PHASE OR THREE-PHASE
- CAPOT DE VENTILATION EN ABS
- ARBRE MONOBLOC EN INOX
- INSERT TURBINE EN INOX
- TURBINE 2 PALES
- TEMPÉRATURE DE FONCTIONNEMENT : -5 À +90°C

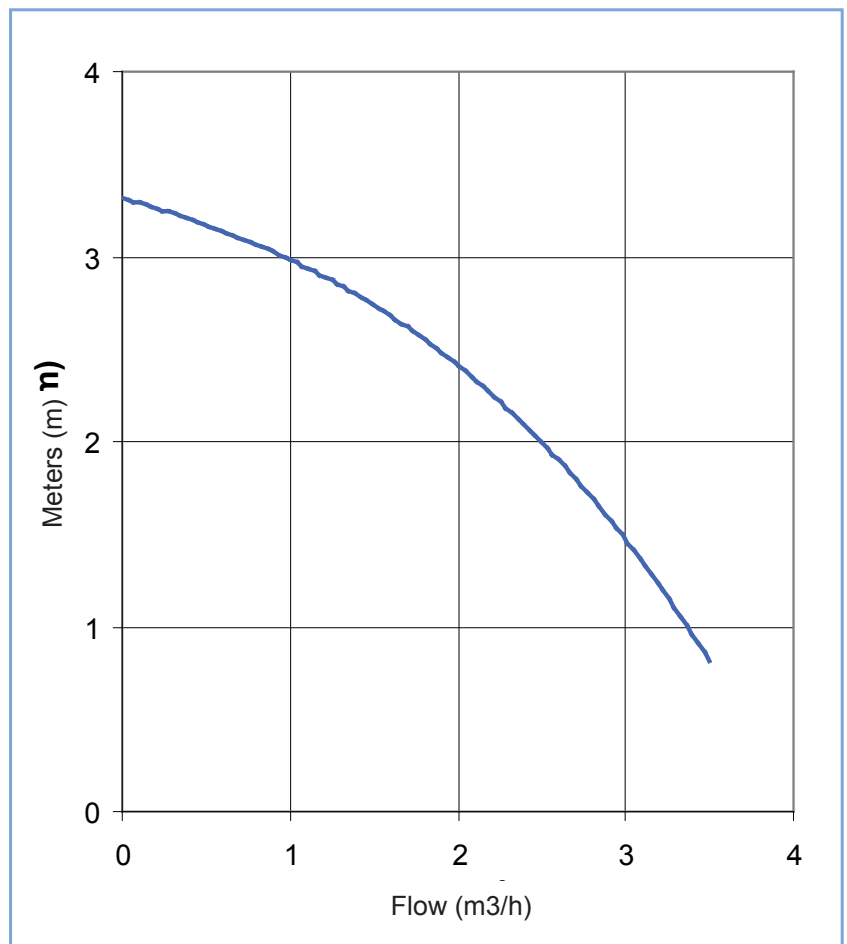
INLET :

- Ø INT. 20

OUTLET :

- Ø EXT. 22 - Ø INT. 17

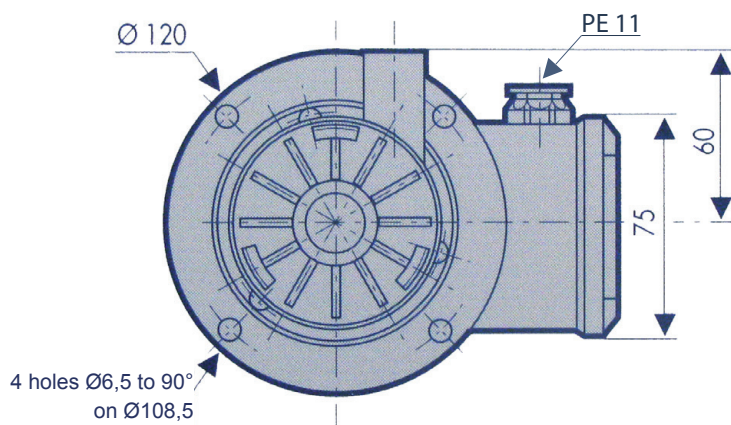
PERFORMANCES CURVES



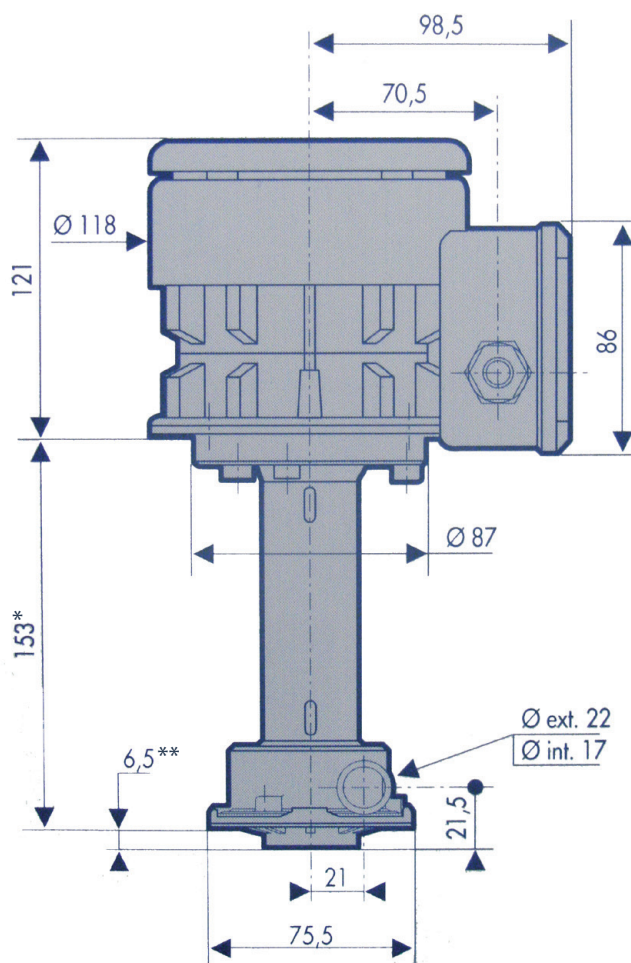
TECHNICAL FEATURES

Type	Designation	Inlet power (W)	Outlet power (W)	Power supply 230V - A	Cos φ	Weight (Kg)
Single phase 230 V- 50hz	P 1C 225 JB	162	85	0,71	0,99	2,6
Three-phase 230/400 V - 50 Hz	P 3 225 JB	129	66	0,41	0,79	2,6

DIMENSIONS



4 holes $\varnothing 6,5$ to 90°
on $\varnothing 108,5$



* : Special lenght on demand (max : 300mm)

** : max. 24mm

OPTIONS :

230 V / 50 Hz

220 V / 60 Hz

110 V / 60 Hz

ANODIZED MOTOR HOUSING

EXTENDED TUBE

POLYAMIDE IMPELLER WITH 4 OR 6
BLADES

GENERALS :

THESE PUMPS MEET THE
STANDARDS AND GUIDELINES IN
FORCE

COMPLIES WITH STANDARDS :

EN 60 335 - 1

EN 60 335 -2 - 41

CE