

WHIRLPOOL PUMP HIGH FLOW

APPLICATIONS

PUMP FOR WHIRLPOOL BATHS
WITH STRONG CAPACITY

PUMP CREATED FOR
ELECTRONIC VARIATION

TECHNICAL FEATURES

0 TO 30 M³ / HOUR
0 TO 1,7 BAR

PUMP BODY IN POLYPROPYLENE
COMPLETE DRAINING

8 DISCHARGE POSITIONS
5 CONNECTION BOX POSITIONS

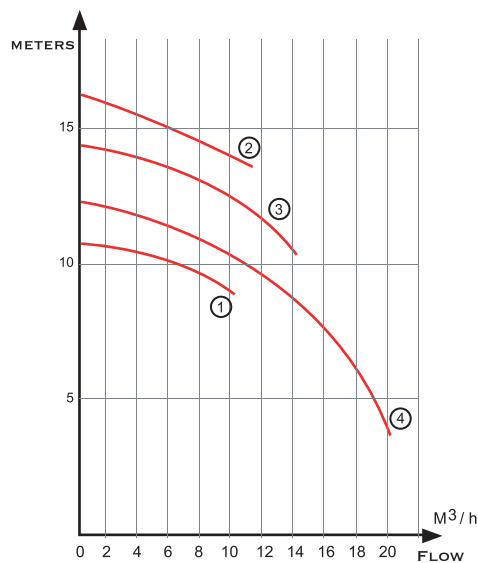
INLET (THREADED):

Ø EXT. G2" MALE - Ø INT. 40
Ø EXT. G2" 1/4 MALE - Ø INT. 50

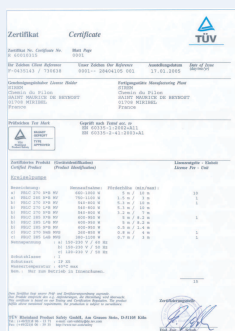
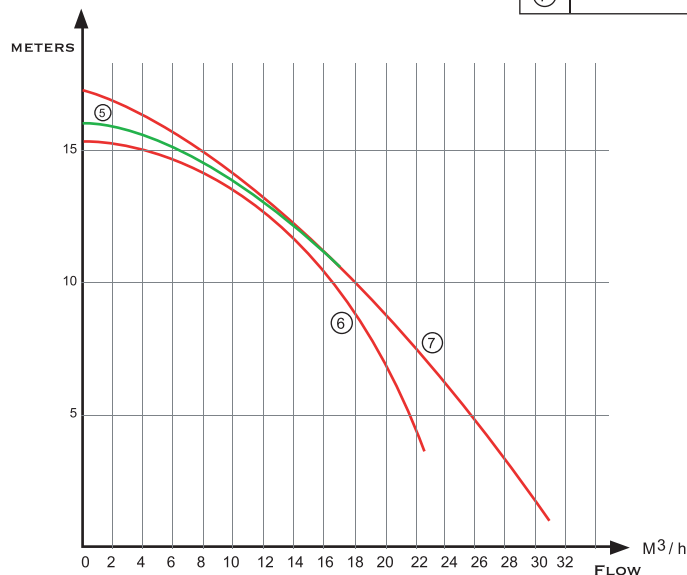
OUTLET:

Ø EXT. G1" 1/2 MALE - Ø INT. 32
Ø EXT. G2" MALE - Ø INT. 40

SINGLE PHASE TYPE	ELECTRIC POWER (W)	L (MM)	WEIGHT (KG)
PB 1 C 250 L4B	560	331	6,6
PB 1 C 270 L4B	900	351	8
PB 1 C 285 L4B	1150	366	9
PB 1 C 80 L4B	1350	388	10



①	PB 1 C 250 KB	Imperler / Turbine Ø 88
②		Imperler / Turbine Ø 107
③	PB 1 C 270 KB	Imperler / Turbine Ø 100
④		Imperler / Turbine Ø 93
⑤	PB 1 C 285 KB	Imperler / Turbine Ø 107
⑥		Imperler / Turbine Ø 100
⑦	PB 1 C 80 KB	Imperler / Turbine Ø 107



TUV CERTIFICATE


OPTIONS

220 V / 50 HZ

220 V / 60 HZ

110 V / 60 HZ

VARIABLE SPEED:

130V TO 230 v (MV)

PNEUMATIC SWITCH (CP)
ELECTRIC CABLE

0.5 / 1 / 1.5 / 2 / 2.5M

 1 FUNCTION ELECTRIC CARD
 FOR ELECTRIC CONTROL
 + WATER LEVEL SENSOR (1F-EL)

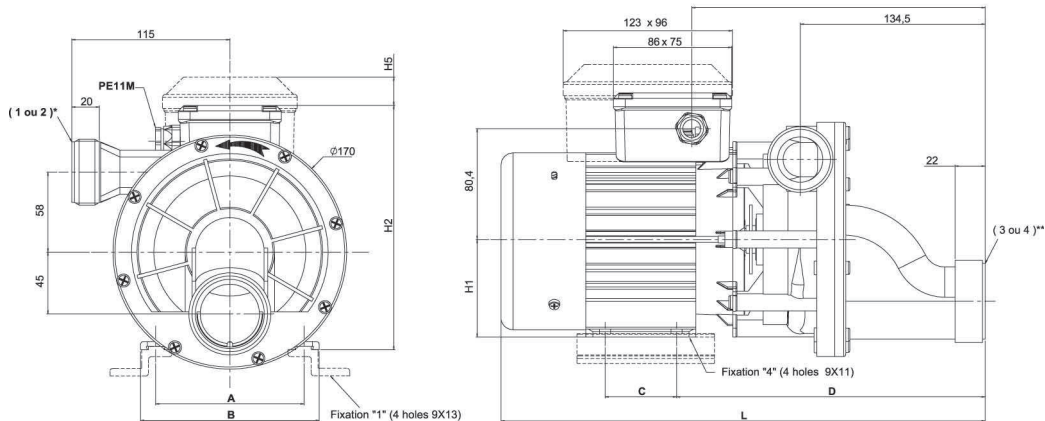
 1 FUNCTION ELECTRIC CARD
 FOR PNEUMATIC CONTROL
 + WATER LEVEL SENSOR (1F-CP)

GENERAL

 THESE PUMPS COMPLY WITH THE
 STANDARDS AND DIRECTIVES IN FORCE

 CONFORM TO STANDARDS :
 EN 60 335 -1
 EN 60 335-2-41

ACCORDING TO THE CE REGULATIONS


 VALIDATED AND QUALIFIED BY THE
 ORGANIZATION : TÜV


	L	A	B	C	D
PB 1C250	332	108	130	32	220,5
PB 3250					
PB 1C270	352	108	130	52	220,5
PB 3270					
PB 1C285	366	108	130	67	220,5
PB 3285					
PB 1C80	388	125	147	100	219
PB 80					

ACCESSORIES

	PUMP UNION FITTINGS 11.12.00.00.08 PUMP UNION (THREAD ASA) 11.12.23.00.18 PUMP UNION Ø 50 (THREAD 2" 1/4) 11.12.23.00.28 PUMP UNION Ø 40 (THREAD 2")
	TEE PUMPS FITTINGS 11.12.33.00.07 TEE PUMP Ø 33,7 (THREAD 2") 11.12.32.00.07 TEE PUMP Ø 32 (THREAD 2" 1/4) 11.12.25.00.07 TEE PUMP Ø 25 GROOVED
	LEG FOR JET PUMP 24.17.00.00.08 SILENT BLOCK 24.17.04.10.18 SILENT BLOCK KIT (X 4) 24.17.00.00.18 SILENT BLOCK Ø 20 / H 20 24.17.30.00.18 SILENT BLOCK Ø 20 / H 30
	PUMP MOUNTING BASE 24.14.00.00.08 PUMP STAND (FIXED) 24.14.00.00.48 PUMP STAND (2 AJUSTABLE PIECES)