



Max pressure : 3 m
Max flow : 8 m³/h

APPLICATIONS :

- SANITARY WATERS, DISTILLED WATERS
- CHEMICAL PRODUCTS
- DRINKS

TECHNICAL FEATURES :

- PUMP BODY IN PP
- AVAILABLE IN SINGLE PHASE OR THREE-PHASE
- POLYAMID OPEN IMPELLER
- NITRILE CERAMIC CARBON MECHANICAL SEAL
- STAINLESS STEEL FASTENINGS
- WORKING TEMPERATURE : FROM - 5 TO +90°C

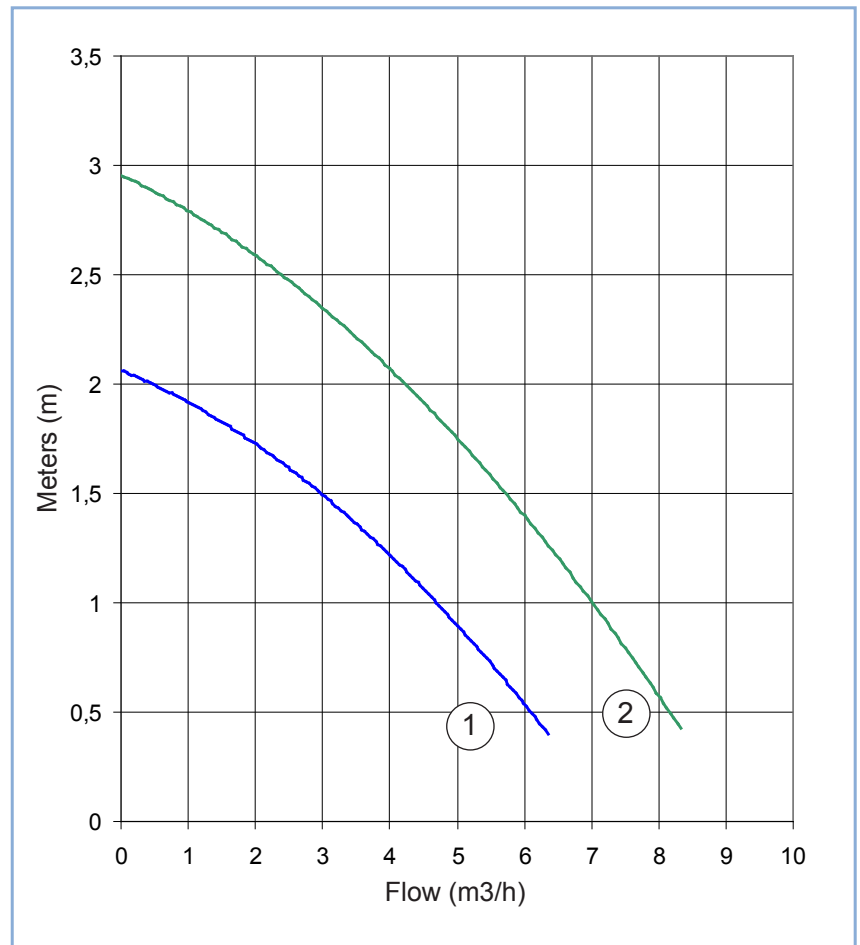
INLET :

- Ø EXT. 30,5 SMOOTH - Ø INT. 24

OUTLET :

- Ø EXT. 30 GROOVED - Ø INT. 24

PERFORMANCES CURVES



TECHNICAL FEATURES

| Curves | Type | Designation | Input power (W) | Output power (W) | Power supply 230V - A | Cos φ | Weight (Kg) |
|--------|------------------------------|---------------|-----------------|------------------|-----------------------|-------|-------------|
| 1 | Single phase 230V- 50hz | PB 1C 225 A1B | 162 | 85 | 0,71 | 0,99 | 2,8 |
| | Three-phase 230/400V - 50 Hz | PB 3 225 A1B | 129 | 66 | 0,41 | 0,79 | 2,8 |
| 2 | Single phase 230V- 50hz | PB 1C 245 A1B | 153 | 93 | 0,67 | 0,99 | 3,6 |
| | Three-phase 230/400V - 50 Hz | PB 3 245 A1B | 166 | 93 | 0,49 | 0,85 | 3,6 |

DIMENSIONS

OPTIONS :

230 V / 50 Hz

220 V / 60 Hz

110 V / 60 Hz

EP OR VITON MECHANICAL SEAL

ANODIZED MOTOR HOUSING

GENERALS :

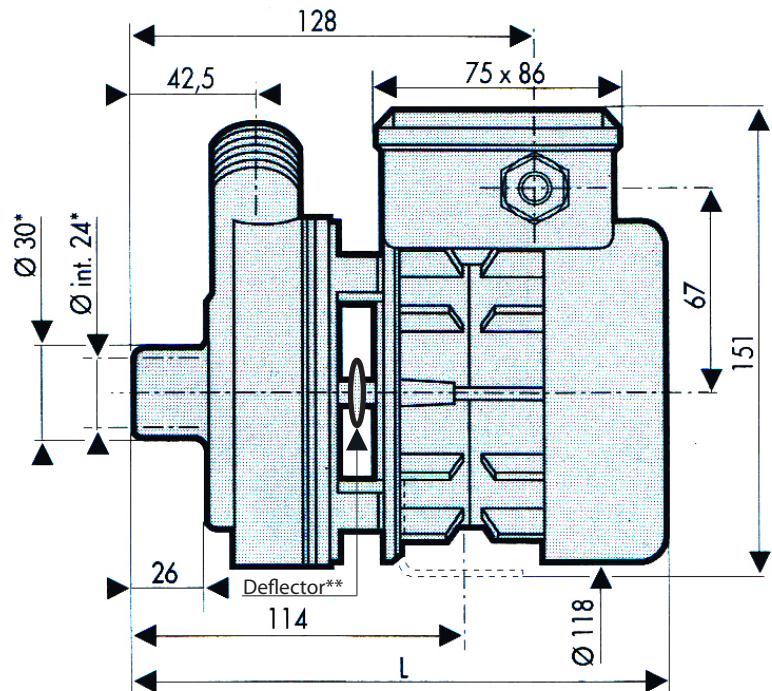
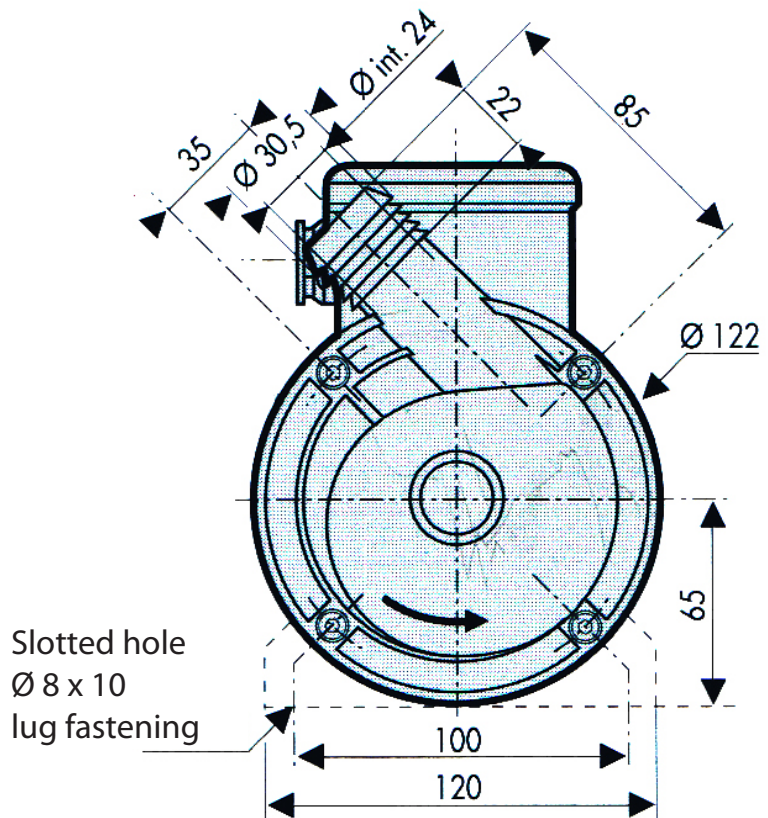
THESE PUMPS MEET THE
STANDARDS AND GUIDELINES IN
FORCE

COMPLIES WITH STANDARDS :

EN 60 335 - 1

EN 60 335 -2 - 41

CE



| Dimensions (mm) | L |
|-----------------|-----|
| <i>Pumps</i> | |
| PB 1C 225 A1B | 193 |
| PB 3225 A1B | |
| PB 1C 245 A1B | 213 |
| PB 3245 A1B | |

* : inlet Ø ext. 40 - Ø int. 34 on demand

** : Deflector clearly separate from the motor to reduce condensation effects which are particularly harmful to the windings and bearings, when stopping the motor.